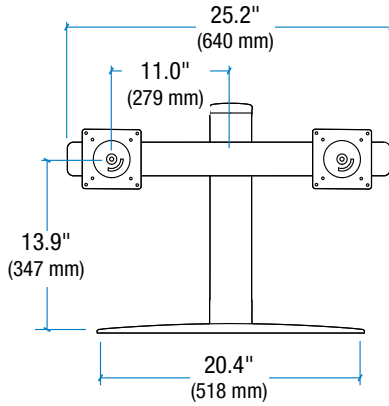


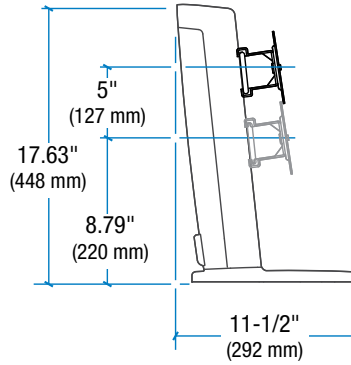
# Ergotron® Neo-Flex™

Dimensional &  
Range of Motion  
Illustrations

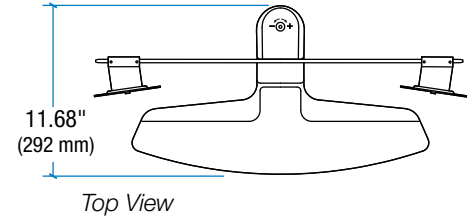
## Neo-Flex Dual Display Lift Stand: 33-330-057



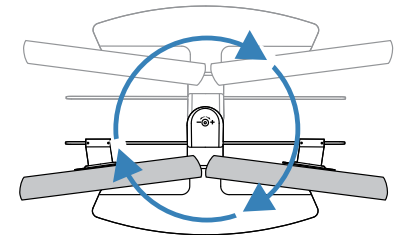
Front View



Side View

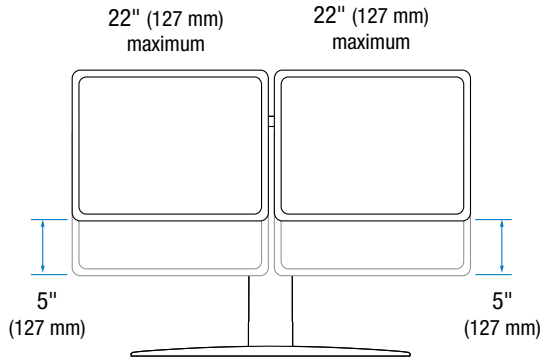


Top View

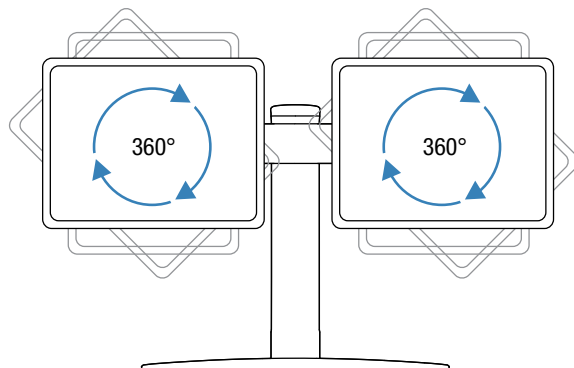
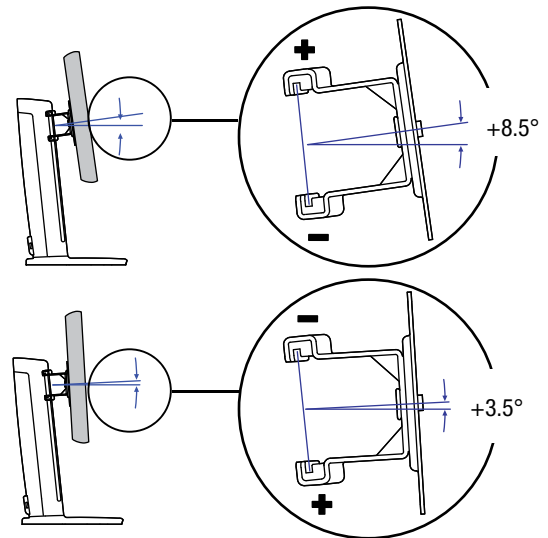


Top View

360°



Front View



Front View

Portrait / Landscape Feature can also be fixed at 90° or 0° Rotation.  
Note: Display width can interfere with display rotation

